

# edrawings for pro engineer free

Download edrawings for pro engineer free

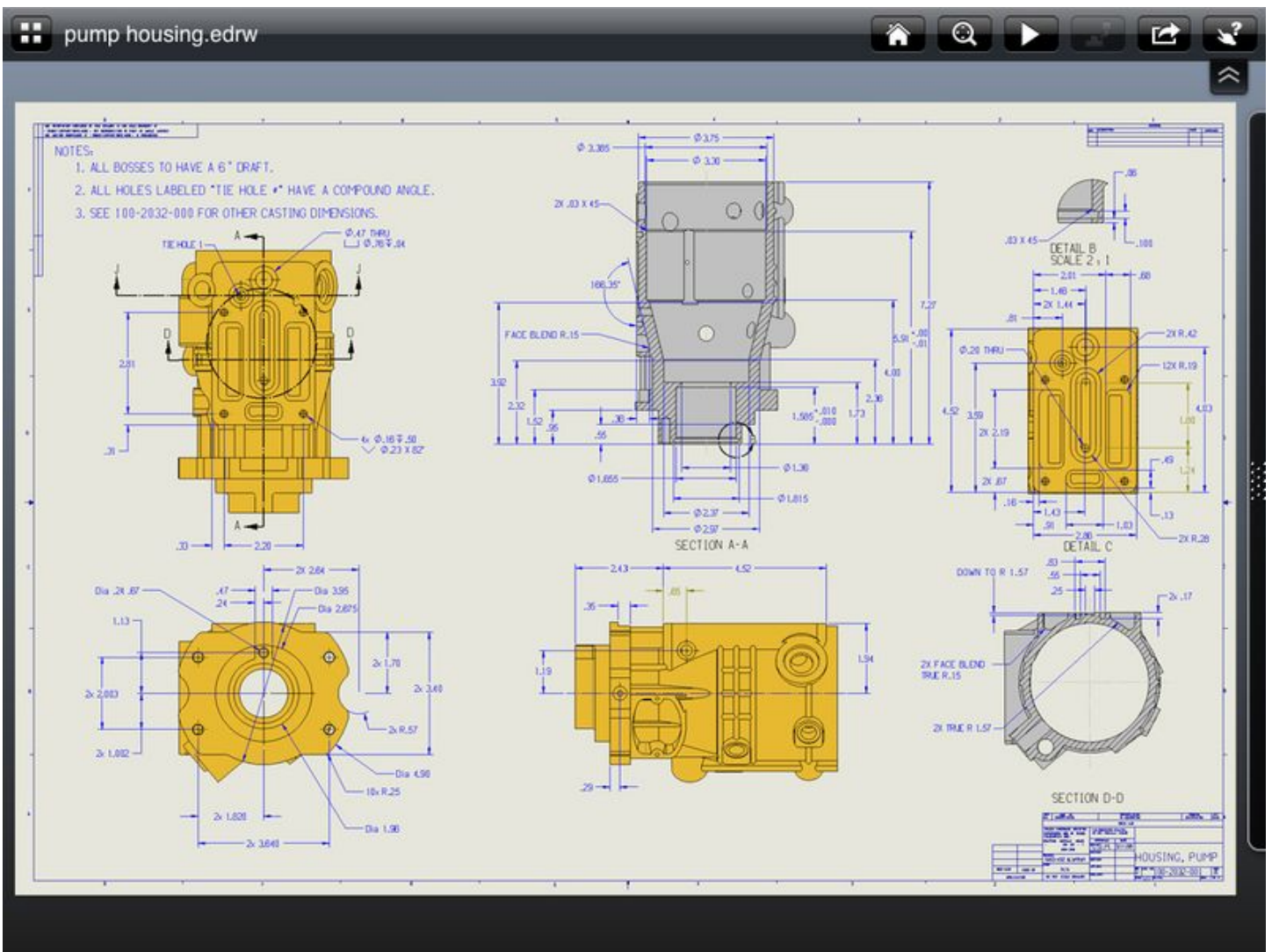


Our software is  
**100% SAFE**  
to download!



Spyware Free  
Adware Free  
Virus Free





Solidworks edrawings 2013 download social advice Users interested in Solidworks edrawings 2013 download generally download:

x. Web Help Content Version: eDrawings 2014 SP05 The search functionality within the web help is in a beta test phase and you may experience periodic delays or.

Property Description and Format; ADDLOCAL: Specifies which portion of the eDrawings application to install. All is the recommended option. Command line feature names.

eDrawings Publishers. Create eDrawings files from inside CAD applications. Currently there are publishers for these applications: AutoCAD ® Autodesk Inventor®

Download eDrawings Professional System Requirements eDrawings Professional is intended primarily for CAD users who need to both share product designs and coordinate.

The Standard in 3D Collaboration Generate accurate representations of 2D and 3D product designs that anyone can view, mark up, and measure. eDrawings files are almost.

Edrawings viewer 32 bit social advice Users interested in Edrawings viewer 32 bit generally download:

This download wizard will download the eDrawing viewer and optionally download eDrawings publishers. eDrawings Viewer only. Please select optional publishers to download:

Publish and share product designs more effectively via email. Free eDrawings® Publisher for Pro/ENGINEER® allows you to publish eDrawings files directly from Pro.

As an authorized Pro/Engineer Reseller, 3HTi offers software, consulting, training and staffing.

Schedule a free demonstration of Pro/Engineer Wildfire.